

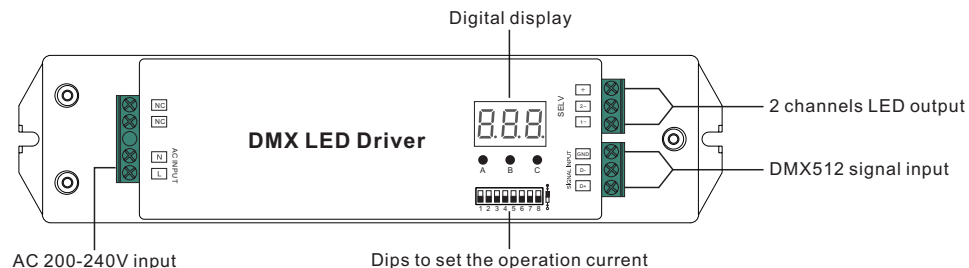
RDM Enabled 50W CC DMX LED Driver

70230057



Important: Read All Instructions Prior to Installation

Function introduction



AC 200-240V input

Dials to set the operation current

Product Data

Output	Selectable Current	250mA	300mA	350mA	400mA	450mA	500mA	600mA	700mA
	DC Voltage Range	8-48V	8-48V	8-48V	8-48V	8-48V	8-48V	8-48V	8-48V
	Selectable Current	800mA	900mA	1000mA	1100mA	1200mA	1300mA	1400mA	1500mA
	DC Voltage Range	8-48V	8-48V	8-48V	8-46V	8-41V	8-38V	8-35V	8-33V
Rated Power		50W max.							
Input	Voltage Range	200-240V AC							
	Frequency	50/60Hz							
	Power Factor (Typ.)	>0.93							
	Efficiency (Typ.)	86% @ 230VAC							
	Input Current (Typ.)	0.27A @ 230VAC							
Inrush Current (Typ.)	COLD START Max. 2A at 230VAC								
Control	Dimming Interface	DMX512 (RDM enabled)							
	Dimming Range	0.1%-100%							
	Dimming Method	Pulse Width Modulation							
	Dimming Curve	Linear, Logarithmic							
Protection	Short Circuit	Yes, auto recovery after fault removed							
	Over Voltage	Yes, auto recovery after fault removed							
	Over Temperature	Yes, auto recovery after fault removed							
Environment	Working Temp.	-20°C ~ +45°C							

	Max. Case Temp.	75°C (Ta=+45°C)
	Working Humidity	10% ~ 95% RH non-condensing
	Storage Temp. & Humidity	-40°C ~ +80°C, 10% ~ 95% RH
Safety&EMC	Safety Standards	ENEC EN61347-1, EN61347-2-13 approved
	Withstand Voltage	I/P-O/P: 3.75KVAC
	EMC Emission	EN55015, EN61000-3-2, EN61000-3-3
	EMC Immunity	EN61547, EN61000-4-2,3,4,5,6,8,11, surge immunity Line-Line 1KV
Others	MTBF	194500H, MIL-HDBK-217F @ 230VAC full load and 25°C ambient temperature
	Dimension	210*50*32mm (L*W*H)

Dips to set the operation current



	1	2	3	4	5	6	7	8		1	2	3	4	5	6	7	8	
250mA	●	●	●	●	●	●	●	●		800mA	●	●	●	●	●	●	●	●
300mA	●	●	●	●	●	●	●	●		900mA	●	●	●	●	●	●	●	●
350mA	●	●	●	●	●	●	●	●		1000mA	●	●	●	●	●	●	●	●
400mA	●	●	●	●	●	●	●	●		1100mA	●	●	●	●	●	●	●	●
450mA	●	●	●	●	●	●	●	●		1200mA	●	●	●	●	●	●	●	●
500mA	●	●	●	●	●	●	●	●		1300mA	●	●	●	●	●	●	●	●
600mA	●	●	●	●	●	●	●	●		1400mA	●	●	●	●	●	●	●	●
700mA	●	●	●	●	●	●	●	●		1500mA	●	●	●	●	●	●	●	●

- Dimmable LED driver, max. output power 50W
- Standard DMX512 compliant control interface
- RDM function enabled to realize intercommunication between DMX master and decoder
- For example, DMX decoder's address can be assigned by DMX master console
- 2 PWM output channels, common anode, 250-1500mA constant current output
- Dips to set the operation current
- Class II power supply, full isolated plastic case
- High power factor and efficiency
- To control tunable white LED, single color LED lighting
- With digital display to show data directly, easily to set and show DMX address.
- DMX channel quantity from 1CH~2CH settable
- Output PWM frequency from 500HZ ~ 2K HZ settable.
- Output dimming curve gamma value from 0.1 ~ 9.9 settable.
- IP20 rating, suitable for indoor LED lighting applications
- 5 years warranty

Safety & Warnings

- DO NOT install with power applied to device.
- DO NOT set operation current with power applied to device.
- DO NOT expose the device to moisture.

Operation

To set desired DMX512 address through buttons, **button A** is to set "hundreds" position, **button B** is to set "tens" position, **button C** is to set "unit" position.



Set DMX address (Factory default DMX address is 001)

Press and hold down any of the 3 buttons for over 3 seconds, digital display flashes to enter into address setting, then keep short pressing button A to set "hundreds" position, button B to set "tens" position, button C to set "units" position, then press and hold down any button for >3 seconds to confirm the setting.



DMX signal indicator ● : When DMX signal input is detected, the indicator on the display following after the digit of "hundreds" position of DMX address turns on red 001 .



Choose DMX Channel (Factory default DMX channel is 4CH)

Press and hold down both buttons B+C simultaneously for over 3 seconds, CH digital display flashes, then keep short pressing button A to choose 1/2/3/4, which means total 1/2/3/4 channels. Press and hold down button A for >3 seconds to confirm the setting. Factory default is 4 DMX channels.

For example the DMX address is already set as 001.

1CH=1 DMX address for all the output channels, which all will be address 001.

2CH=2 DMX addresses, output 1 will be address 001, output 2 will be address 002.

3CH=3 DMX addresses, output 1 will be address 001, output 2 will be address 002, address 003 not used.

4CH=4 DMX addresses, output 1 will be address 001, output 2 will be address 002, address 003&004 not used.



Choose PWM frequency (Factory default PWM frequency is PF1 1KHz)

Press and hold down both buttons A+B simultaneously for over 3 seconds, digital display will show PF1, PF means output PWM frequency, the digit 1 will flash, which means frequency, then keep short pressing button C to select a frequency from 0-9 and A-J, which stand for following frequencies:

0=500Hz, 1=1KHz, 2=2KHz, ..., 9=9KHz, A=10KHz, B=12KHz, C=14KHz, D=16KHz, E=18KHz, F=20KHz, H=25KHz, J=35KHz.

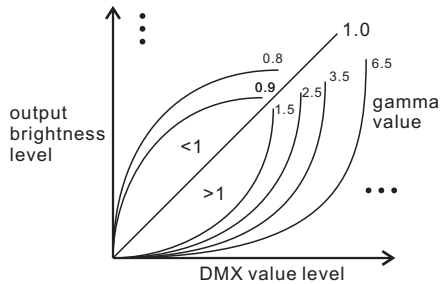
Then press and hold down button C for >3 seconds to confirm the setting.

Note: The max. PWM frequency this driver allows is 2kHz, DO NOT set it higher than 2kHz.



Choose Dimming Curve Gamma Value (Factory default dimming curve value is g1.0)

Press and hold down all buttons A+B+C simultaneously for over 3 seconds, digital display flashes g1.0, 1.0 means the dimming curve gamma value, the value is selectable from 0.1-9.9, then keep short pressing button B and button C to select corresponding digits, then press and hold down both buttons B+C for >3 seconds to confirm the setting.



Restore to Factory Default Setting

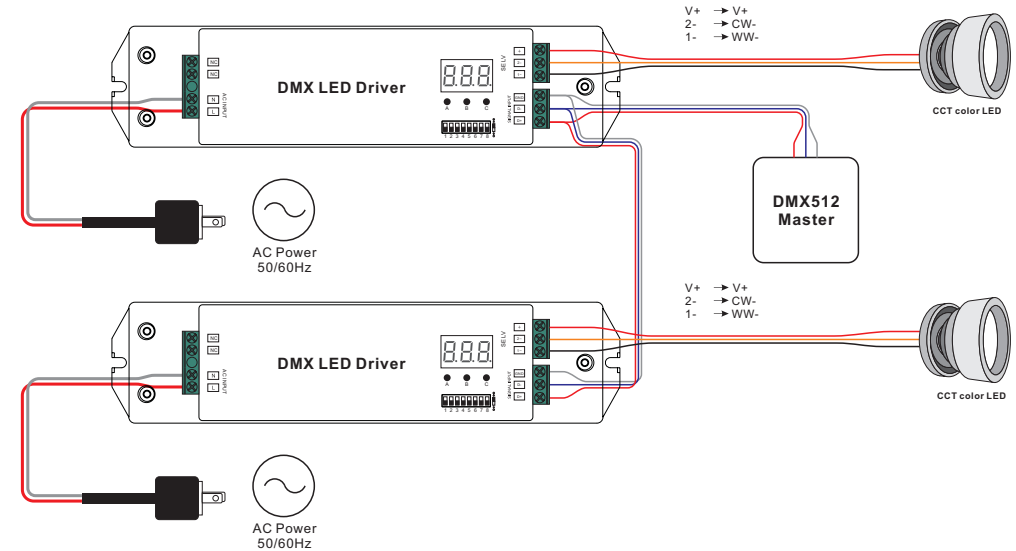
Press and hold down both buttons A+C for over 3 seconds until the digital display turns off and then turns on again, all settings will be restored to factory default. Default settings are as follows:

DMX Address: 001
DMX Address Quantity: 4CH
PWM Frequency: PF1
Gamma: g1.0

The supported RDM PIDs are as follows:

DISC_UNIQUE_BRANCH
DISC_MUTE
DISC_UN_MUTE
DEVICE_INFO
DMX_START_ADDRESS
IDENTIFY_DEVICE
SOFTWARE_VERSION_LABEL
DMX_PERSONALITY
DMX_PERSONALITY_DESCRIPTION
SLOT_INFO
SLOT_DESCRIPTION
MANUFACTURER_LABEL
SUPPORTED_PARAMETERS

Wiring Diagram



Product Dimension

